

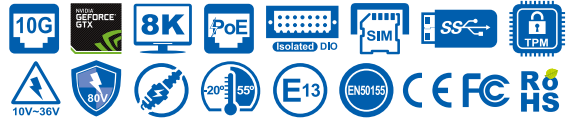
ECS-9755 GTX1050

Intel® Xeon®/Core™ i7 GPU Computing System with Intel® CM236 & NVIDIA® GeForce® GTX 1050 Ti/GTX 1050, NVIDIA® Pascal™ architecture, 6 GigE LAN with 4 PoE+, Dual 10GigE LAN, 2 Front-access SSD Tray, 4 SIM, 6 USB 3.0, 4 COM, 32 Isolated DIO, Independent Graphics



Features

- Dual 10GigE LAN support up to 10Gbps data rate
- Workstation-grade Intel® Xeon®/Core™ i7 Processor (Skylake-H) with Intel® CM236 Chipset
- NVIDIA® GeForce® GTX 10 Series graphics engine supports NVIDIA® Pascal™ GPU architecture, up to 8K resolution
- 1 VGA, 2DVI, 1 HDMI & 3 DisplayPort, up to 6 independent HD displays
- 6 Independent GigE LAN with 4 IEEE 802.3at PoE+
- 2 SSD Tray, 6 USB 3.0, 4 COM, 32 Isolated DIO, 4 Mini PCIe/mSATA
- 4 SIM Card Socket for WiFi/4G/3G/LTE/GPRS/UMTS
- 10V to 36V DC-in with 80V Surge Protection
- Configurable Ignition Power Control



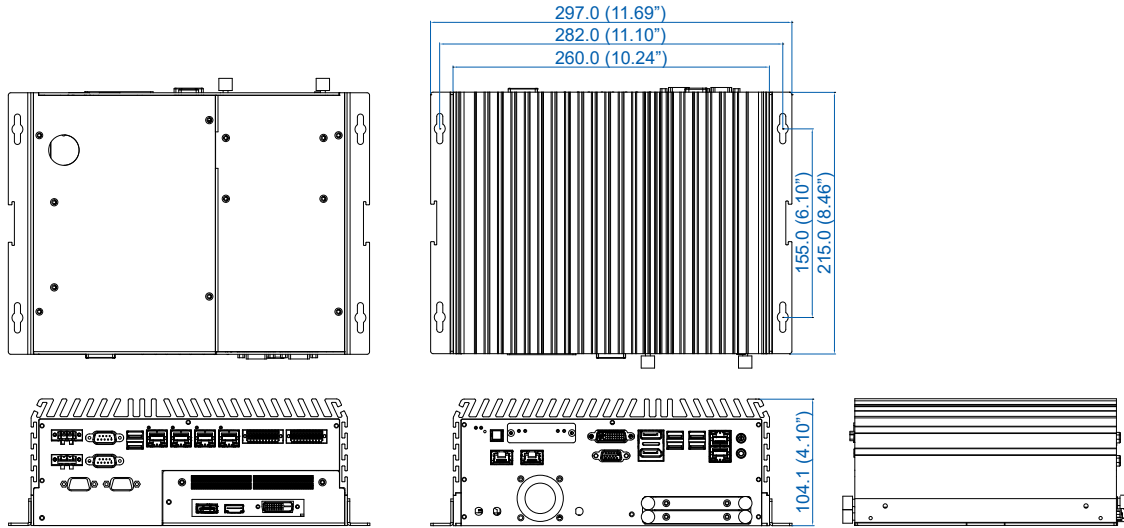
Specifications

System	
Processor	Intel® Xeon® E3-1505M v5/Core™ i7-6820EQ Processor (Skylake-H)
Chipset	Intel® CM236
BIOS	AMI
SIO	IT8786E
Memory	2 DDR4 2133MHz SO-DIMM, up to 32GB (ECC/Non-ECC)
I/O Interface	
Serial	4 COM RS-232/422/485 (ESD 8KV)
USB	<ul style="list-style-type: none"> ▪ 6 USB 3.0 (External) ▪ 1 USB 2.0 (Internal)
Isolated DIO	32 Isolated DIO : 16 DI, 16 DO
LED	Power, HDD, Wireless, PoE
SIM Card	4 SIM Card Socket (3 External, 1 Internal)
Expansion	
Mini PCIe	4 Mini PCIe Socket : <ul style="list-style-type: none"> ▪ 3 Full-size for PCIe/USB/External SIM Card/mSATA ▪ 1 Full-size for PCIe/Internal SIM Card/mSATA
Graphics	
Graphics Processor	<ul style="list-style-type: none"> ▪ Intel® HD Graphics P530/530 ▪ NVIDIA® GeForce® GTX 1050 Ti/GTX 1050
Interface	7 Display interfaces : <ul style="list-style-type: none"> ▪ 2 DVI : Up to 1920 x 1200 @ 60 Hz ▪ 1 DisplayPort : Up to 7680 x 3840 @ 60Hz ▪ 2 DisplayPort : Up to 4096 x 2304 @ 60Hz ▪ 1 VGA : Up to 1920 x 1200 @ 60Hz ▪ 1 HDMI : Up to 4096 x 2160 @ 60Hz
Storage	
SATA	4 SATA III support S/W RAID 0, 1, 5, 10 : <ul style="list-style-type: none"> ▪ 3 SATA III (6Gbps) ▪ 1 SATA III co-lay with Mini PCIe (6Gbps)
mSATA	4 mSATA connections : <ul style="list-style-type: none"> ▪ 3 SATA III (Mini PCIe Type, 6Gbps) ▪ 1 SATA III co-lay with SATA (Mini PCIe Type, 6Gbps)
Storage Device	<ul style="list-style-type: none"> ▪ 1 CFast Socket, Push-in/Push-out Ejector ▪ 2 Front-access 2.5" SSD/HDD Tray
Audio	
Audio Codec	Realtek ALC888S-VD, 7.1 Channel HD Audio
Audio Interface	1 Mic-in, 1 Line-out
Ethernet	
LAN 1	Intel® I219LM GigE LAN supports iAMT 11.0
LAN 2	Intel® I210 GigE LAN

PoE	
LAN 3 to 6	GigE IEEE 802.3at (25.5W/48V) PoE+ by Intel® I210 with Power On/Off Control
10G Ethernet	
LAN 7	Intel® X550-AT2 10GigE LAN
LAN 8	Intel® X550-AT2 10GigE LAN
Power	
Power Input	10V to 36V, DC-in
Power Interface	3-pin Terminal Block : V+, V-, Frame Ground
Ignition Control	16 Mode (Internal)
Remote Switch	3-pin Terminal Block : On, Off, IGN
Surge Protection	Up to 80V/1ms Transient Power
Others	
TPM	Optional Infineon SLB9665 supports TPM 2.0, LPC Interface
Watchdog Timer	Reset : 1 to 255 sec./min. per step
Smart Management	Wake on LAN, PXE supported
HW Monitor	Monitoring temperature, voltages. Auto throttling control when CPU overheats.
Software Support	
OS	Windows 10, Windows 8.1, Windows 7, Linux
Mechanical	
Dimensions (W x L x H)	260mm x 215mm x 104mm (10.2" x 8.5" x 4.1")
Weight	4.7 kg (10.36 lb)
Mounting	<ul style="list-style-type: none"> ▪ Wallmount by mounting bracket ▪ DIN Rail Mount (Optional)
Environment	
Operating Temperature	-20°C to 55°C (-4°F to 131°F)
Storage Temperature	-40°C to 85°C (-40°F to 185°F)
Humidity	5% to 95% Humidity, non-condensing
Relative Humidity	95% at 55°C
Shock	<ul style="list-style-type: none"> ▪ IEC 60068-2-27 ▪ SSD : 50G @ wallmount, Half-sine, 11ms
Vibration	<ul style="list-style-type: none"> ▪ IEC 60068-2-64 ▪ SSD : 5Grms, 5Hz to 500Hz, 3 Axis
EMC	E13, CE, FCC, EN50155, EN50121-3-2

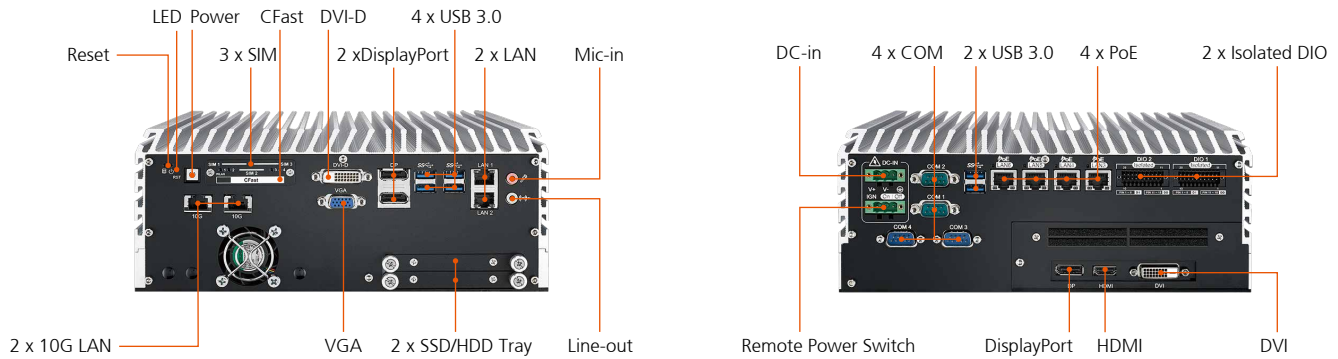
Dimensions

Unit : mm/ inch



Front I/O

Rear I/O



Order Information

ECS-9755-505M-GTX1050T	ECS-9700, Intel® Xeon® E3-1505M v5, NVIDIA® GeForce® GTX 1050 Ti, 6 GigE LAN w/4 PoE+, 2 10G RJ45 (ECC supported)
ECS-9755-505M-GTX1050	ECS-9700, Intel® Xeon® E3-1505M v5, NVIDIA® GeForce® GTX 1050, 6 GigE LAN w/4 PoE+, 2 10G RJ45 (ECC supported)
ECS-9755-820Q-GTX1050T	ECS-9700, Intel® Core™ i7-6820EQ, NVIDIA® GeForce® GTX 1050 Ti, 6 GigE LAN w/4 PoE+, 2 10G RJ45
ECS-9755-820Q-GTX1050	ECS-9700, Intel® Core™ i7-6820EQ, NVIDIA® GeForce® GTX 1050, 6 GigE LAN w/4 PoE+, 2 10G RJ45

Accessories

DDR4 16G	Certified DDR4 16GB 2133MHz RAM
DDR4 8G	Certified DDR4 8GB 2133MHz RAM
DDR4 4G	Certified DDR4 4GB 2133MHz RAM
PWA-280W-WT	280W, 24V, 85V AC to 264V AC Power Adapter with 3-pin Terminal Block, Wide Temperature -30°C to +70°C
PWA-160W-WT	160W, 24V, 85V AC to 264V AC Power Adapter with 3-pin Terminal Block, Wide Temperature -30°C to +70°C
VESA Mount	VESA Mounting Kit
DIN-RAIL	DIN Rail Kit
Rack Mount	2U Rackmount Kit
TMK2-20P-100	Terminal Block 20-pin to Terminal Block 20-pin Cable, 100cm
TMK2-20P-500	Terminal Block 20-pin to Terminal Block 20-pin Cable, 500cm
TMB-TMBK-20P	Terminal Board with One 20-pin Terminal Block Connector and DIN-Rail Mounting
4G Module	Mini PCIe 4G/GPS Module with Antenna
WiFi & Bluetooth	WiFi & Bluetooth Module with Antenna